

Kidde Fire Systems HPCO₂ Component Description Adapters, Hose Line



Effective: June 2020
K-81-1208 Rev AA

FEATURES

- *UL Listed for HPCO₂ Service*
- *Brass Body*
- *1-3/8 Hex Body*

DESCRIPTION

The swivel adapters allows connecting the hose line onto the reel.

SPECIFICATIONS

Pressure, Max: 2300-psi (158-bar)
Temperature, Min: 0°F (-17°C)
Temperature, Max: 130°F (55°C)

ORDERING INFORMATION

Description	Part Number	Application
Straight, 1-in MNPT x 3/4-in MJIC	81-158909-100	Reel to Hose
Straight, 1-in FNPSM x 3/4-in MJIC	81-158909-000	Legacy Reel

REFERENCED COMPONENTS

Description	Reference Data Sheet
Adapter	K-81-1207
Hose Line	K-81-1209

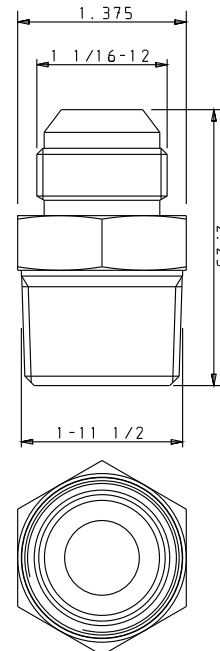


Figure 1. Straight, 1-in MNPT x 3/4-in MJIC

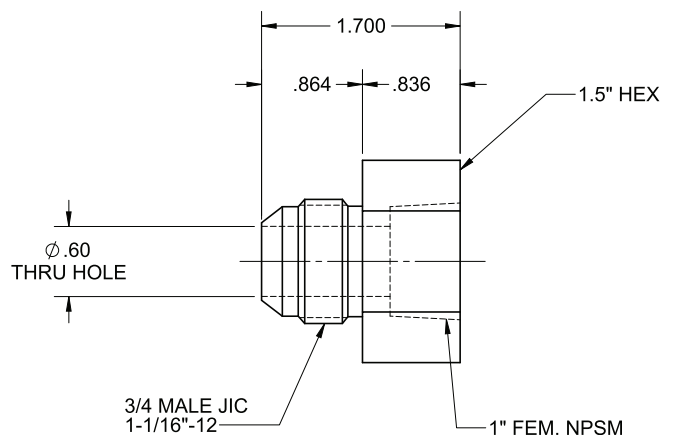


Figure 2. Straight, 1-in FNPSM x 3/4-in MJIC

EXPORT INFORMATION (USA)

Jurisdiction: EAR

Classification: EAR99

This document contains technical data subject to the EAR.

All trademarks are the property of their respective owners.

©2020 Carrier

This literature is provided for informational purposes only. KIDDE-FENWAL, INC. believes this data to be accurate, but it is published and presented without any guarantee or warranty whatsoever. KIDDE-FENWAL, INC. assumes no responsibility for the product's suitability for a particular application. The fire suppression system design, installation, maintenance, service and troubleshooting must be performed by trained, authorized Kidde Fire Systems distributors for the product to work correctly. If you need more information on this product, or if you have a particular problem or question, contact KIDDE-FENWAL, INC., Ashland, MA 01721 USA. Telephone: (508) 881-2000.

Kidde Fire Systems
400 Main Street
Ashland, MA 01721
Ph: 508.881.2000
Fax: 508.881.8920
kiddefiresystems.com